

NO	DATE	DESCRIPTION	FOR REVIEW AND COMMENT	AS-BID	CONSTRUCTION REVISIONS	AS-BUILT
				<input type="checkbox"/>	<input type="checkbox"/>	<input type="checkbox"/>

**ENVIRO SERVICES, LLC**  
 VESTAVIA HILLS, AL  
**LIBERTY PARK WATER RECLAMATION FACILITY**  
**CAPACITY EXPANSION**

NEW SBR BASIN  
 PIPING PLAN

BOX IS 2 IN WIDE  
 AT FULL SCALE

JOB NO: ES-20045

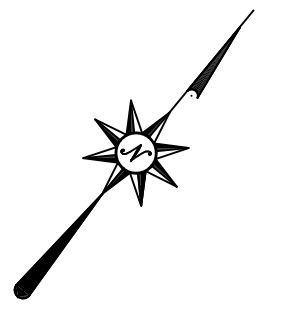
DATE: FEB., 2022

DESIGNED BY: WCE

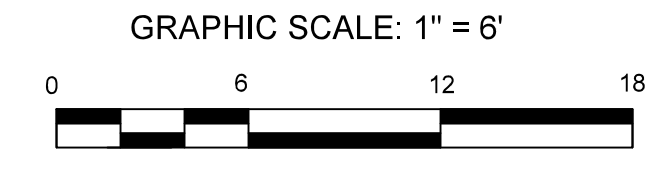
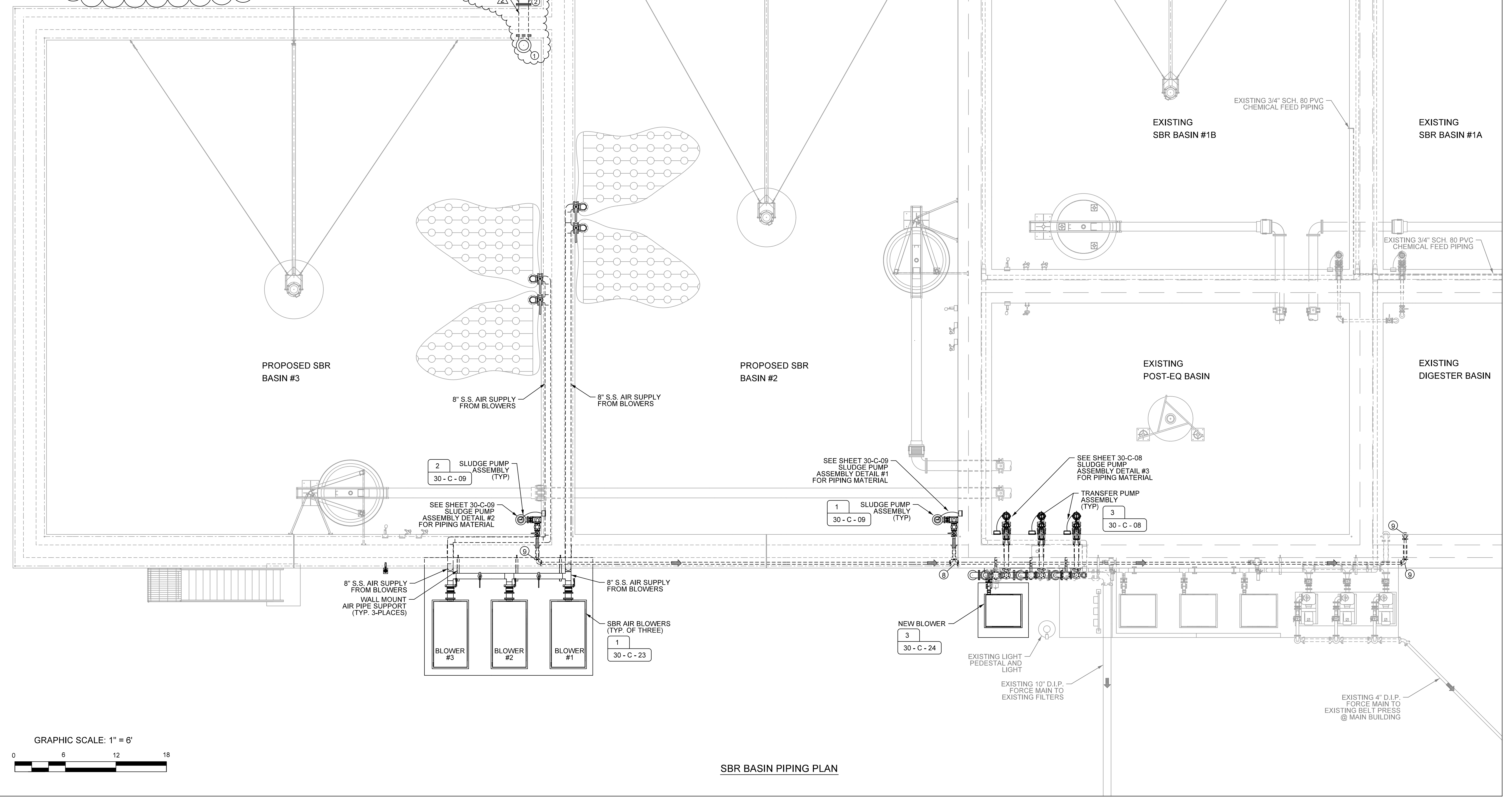
DRAWN BY: LEE

DWG: 20-C-02

SHEET NUMBER **13**



ITEM NO.	DESCRIPTION
1	14" x 14" x 14" TEE FLG. X FLG.
2	14" D.I. 90° BEND FLG. X FLG.
3	14" MANUAL INFLUENT VALVE
4	14" ELECTRICALLY OPERATED INFLUENT VALVE
5	18" x 18" x 14" D.I. TEE M.J. x M.J. x M.J.
6	18" D.I. 90° BEND M.J. X M.J.
7	18" x 14" D.I. REDUCER M.J. X M.J.
8	3" x 3" x 3" TEE FLG. X FLG.
9	3" D.I. 90° BEND FLG. X FLG.
10	14" MEGAFLLANGE ADAPTER



SBR BASIN PIPING PLAN

NO	DATE	DESCRIPTION	FOR REVIEW AND COMMENT	AS-BID	CONSTRUCTION REVISIONS	AS-BUILT

**ENVIRO SERVICES, LLC**  
VESTAVIA HILLS, AL

**LIBERTY PARK WATER RECLAMATION FACILITY  
CAPACITY EXPANSION**

NEW SBR BASIN  
LOWER PLAN

BOX IS 2 IN WIDE  
AT FULL SCALE

JOB NO: ES-20045

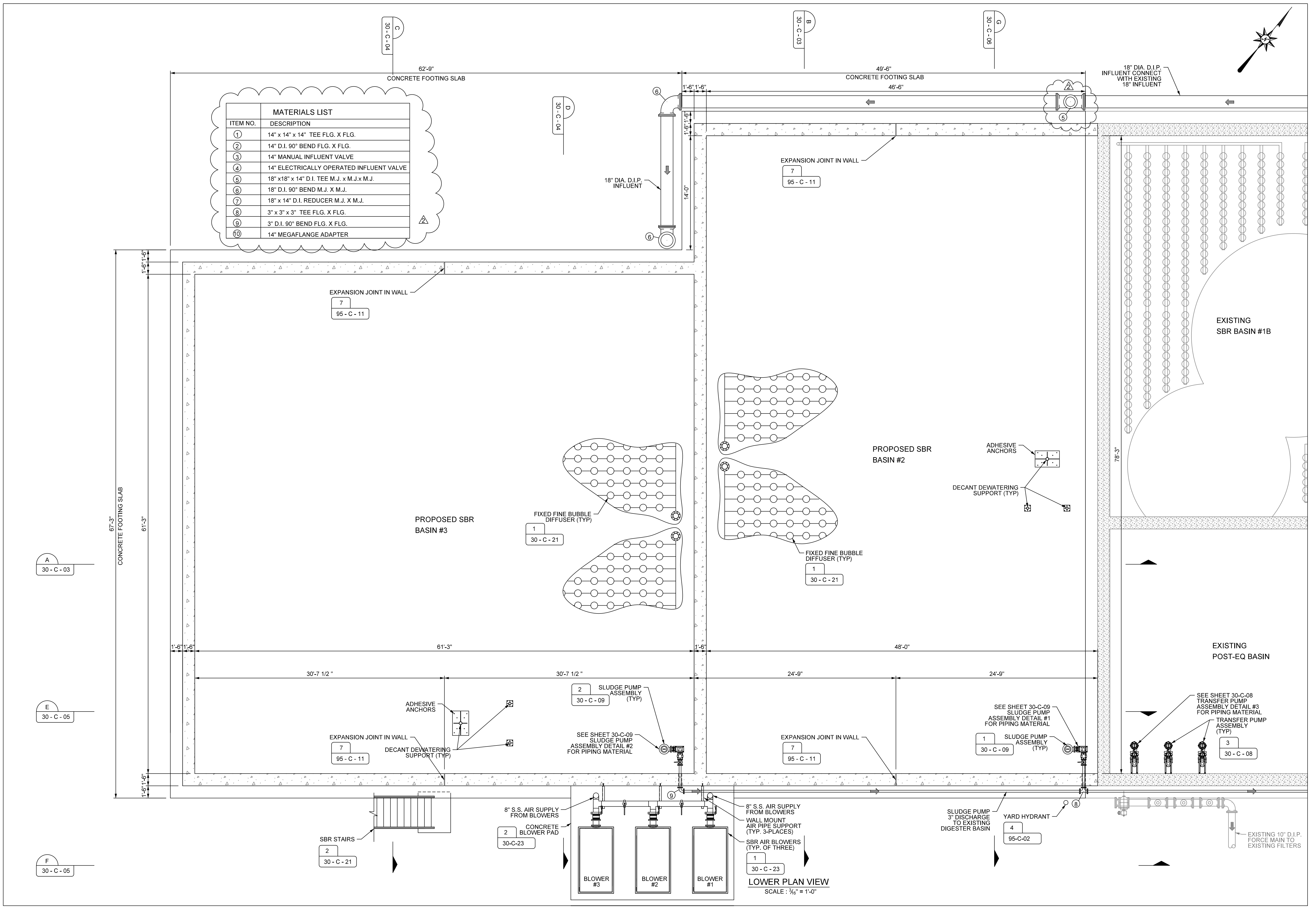
DATE: FEB., 2022

DESIGNED BY: WCE

DRAWN BY: LEE

DWG: 30-C-01

SHEET NUMBER **15**





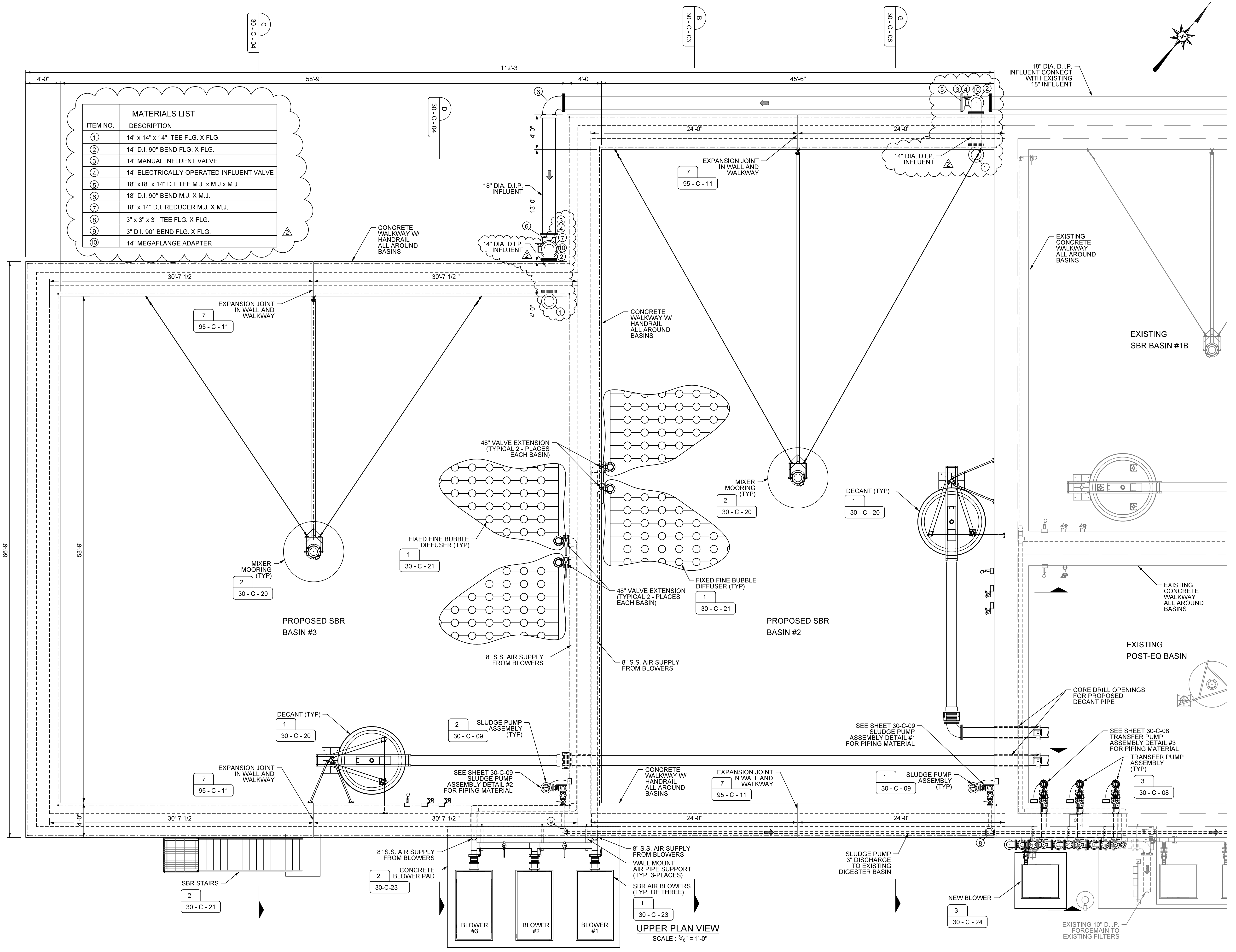
NO	DATE	DESCRIPTION	ADDENDUM	AS-BUILT

**ENVIRO SERVICES, LLC**  
 VESTAVIA HILLS, AL  
**LIBERTY PARK WATER RECLAMATION FACILITY**  
**CAPACITY EXPANSION**

**NEW SBR BASIN**  
**UPPER PLAN**

BOX IS 2 IN WIDE  
 AT FULL SCALE

JOB NO: ES-20045  
 DATE: FEB., 2022  
 DESIGNED BY: WCE  
 DRAWN BY: LEE  
 DWG: 30-C-02  
 SHEET NUMBER **16**



MATERIALS LIST	
ITEM NO.	DESCRIPTION
1	14" x 14" x 14" TEE FLG. X FLG.
2	14" D.I. 90° BEND FLG. X FLG.
3	14" MANUAL INFLUENT VALVE
4	14" ELECTRICALLY OPERATED INFLUENT VALVE
5	18" x 18" x 14" D.I. TEE M.J. x M.J. x M.J.
6	18" D.I. 90° BEND M.J. X M.J.
7	18" x 14" D.I. REDUCER M.J. X M.J.
8	3" x 3" x 3" TEE FLG. X FLG.
9	3" D.I. 90° BEND FLG. X FLG.
10	14" MEGAFLANGE ADAPTER

**UPPER PLAN VIEW**  
 SCALE: 3/16" = 1'-0"

NO	DATE	DESCRIPTION	FOR REVIEW AND COMMENT	AS-BID	CONSTRUCTION REVISIONS	AS-BUILT

**ENVIRO SERVICES, LLC**  
VESTAVIA HILLS, AL

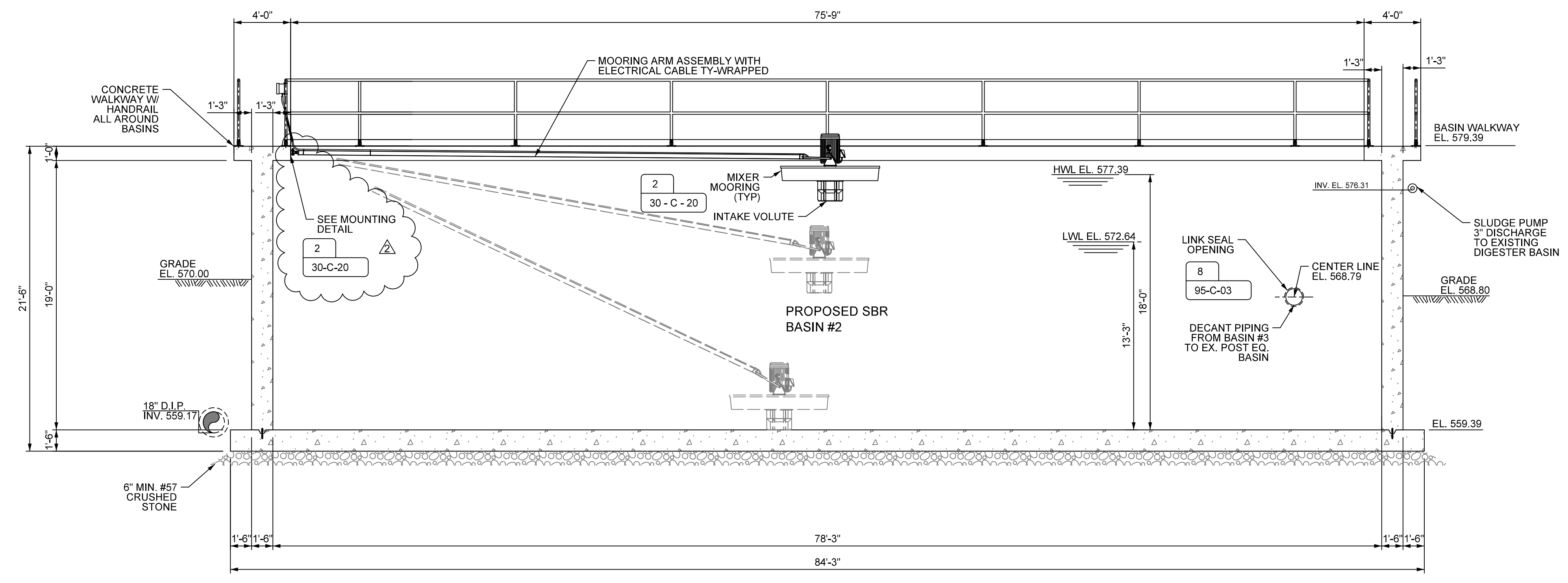
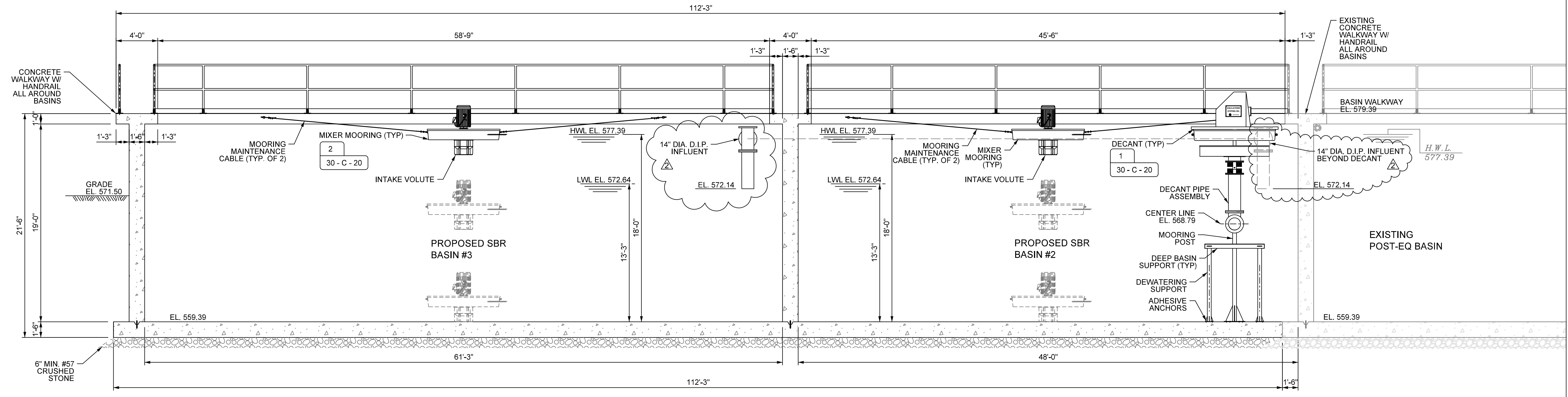
**LIBERTY PARK WATER RECLAMATION FACILITY  
CAPACITY EXPANSION**

NEW SBR BASIN  
SECTIONS  
A-AND-B

BOX IS 2 IN WIDE  
AT FULL SCALE

JOB NO: ES-20045  
DATE: FEB., 2022  
DESIGNED BY: WCE  
DRAWN BY: LEE  
DWG: 30-C-03

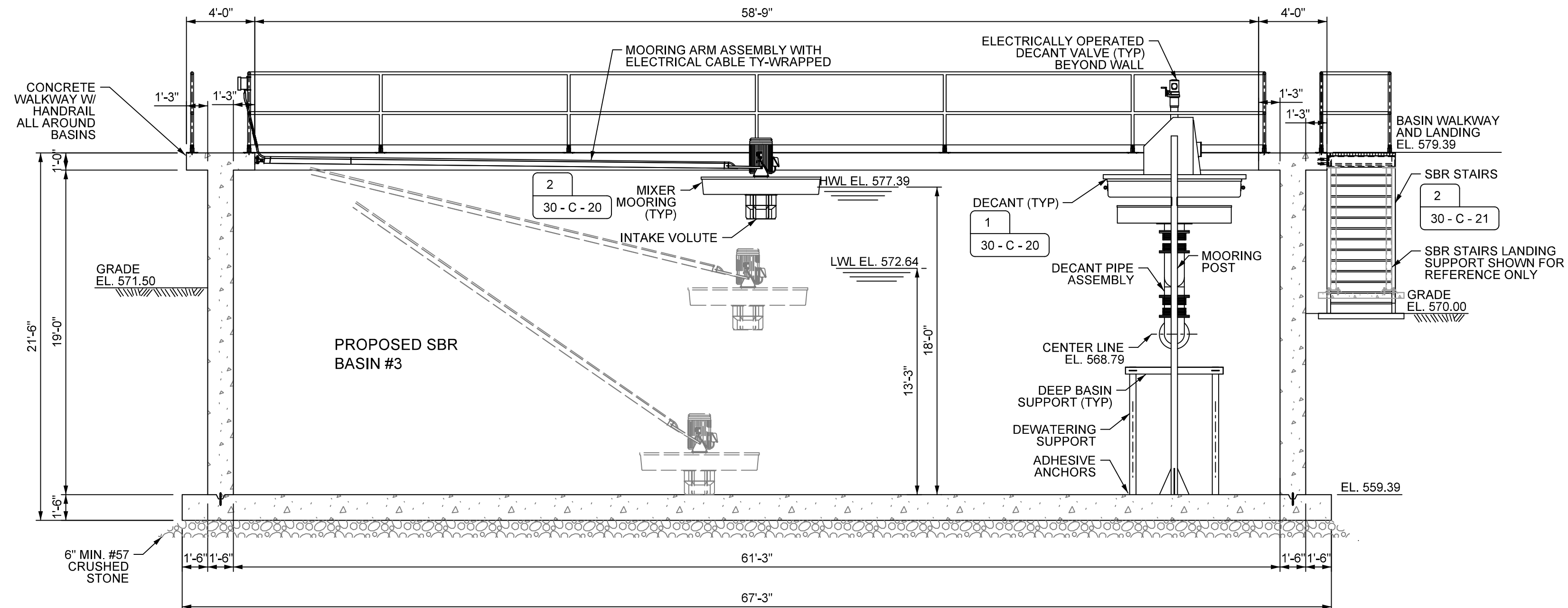
SHEET NUMBER **17**



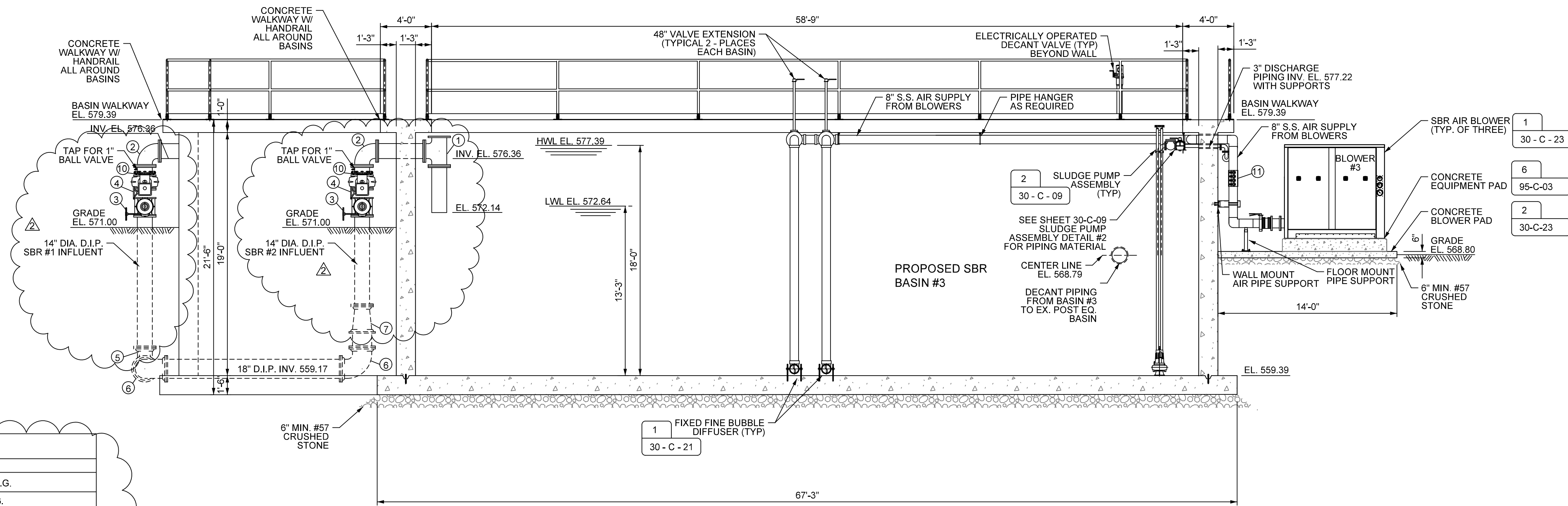
**B SECTION**  
30 - C - 03 SCALE :  $\frac{3}{16}'' = 1'-0''$



01-13-2022



**C SECTION**  
30 - C - 04 SCALE: 3/8" = 1'-0"



**D SECTION**  
30 - C - 04 SCALE: 3/8" = 1'-0"

MATERIALS LIST	
ITEM NO.	DESCRIPTION
①	14" x 14" x 14" TEE FLG. X FLG.
②	14" D.I. 90° BEND FLG. X FLG.
③	14" MANUAL INFLUENT VALVE
④	14" ELECTRICALLY OPERATED INFLUENT VALVE
⑤	18" x 18" x 14" D.I. TEE M.J. x M.J. x M.J.
⑥	18" D.I. 90° BEND M.J. X M.J.
⑦	18" x 14" D.I. REDUCER M.J. X M.J.
⑧	3" x 3" x 3" TEE FLG. X FLG.
⑨	3" D.I. 90° BEND FLG. X FLG.
⑩	14" MEGAFLANGE ADAPTER
⑪	8" S.S. PIPE EXPANSION CLAMP

REVISIONS		ADDITION		AS-BUILT	
NO.	DATE	DESCRIPTION	CONSTRUCTION REVISIONS	AS-BID	AS-BUILT
			<input type="checkbox"/>	<input type="checkbox"/>	<input type="checkbox"/>
			<input type="checkbox"/>	<input type="checkbox"/>	<input type="checkbox"/>
			<input type="checkbox"/>	<input type="checkbox"/>	<input type="checkbox"/>
			<input type="checkbox"/>	<input type="checkbox"/>	<input type="checkbox"/>
			<input type="checkbox"/>	<input type="checkbox"/>	<input type="checkbox"/>

**ENVIRO SERVICES, LLC**  
VESTAVIA HILLS, AL  
**LIBERTY PARK WATER RECLAMATION FACILITY  
CAPACITY EXPANSION**

NEW SBR BASIN SECTIONS  
C-AND-D

BOX IS 2 IN WIDE AT FULL SCALE

JOB NO: ES-20045

DATE: FEB., 2022

DESIGNED BY: WCE

DRAWN BY: LEE

DWG: 30-C-04

SHEET NUMBER **18**

NO.	DATE	DESCRIPTION	FOR REVIEW AND COMMENT	AS-BID	CONSTRUCTION REVISIONS	AS-BUILT

**ENVIRO SERVICES, LLC**  
 VESTAVIA HILLS, AL

**LIBERTY PARK WATER RECLAMATION FACILITY**  
**CAPACITY EXPANSION**

NEW SBR BASIN  
 SECTION G AND  
 PRE-FAB ELEC.  
 / STORAGE BLD.

BOX IS 2 IN WIDE  
 AT FULL SCALE

JOB NO: ES-20045

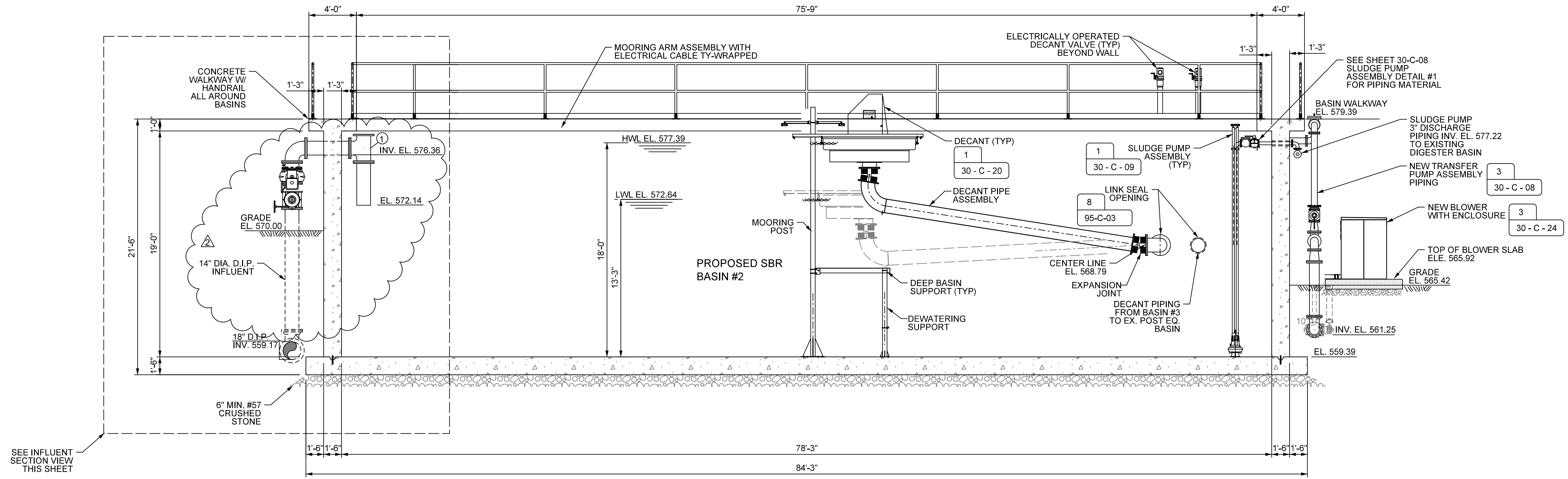
DATE: FEB., 2022

DESIGNED BY: WCE

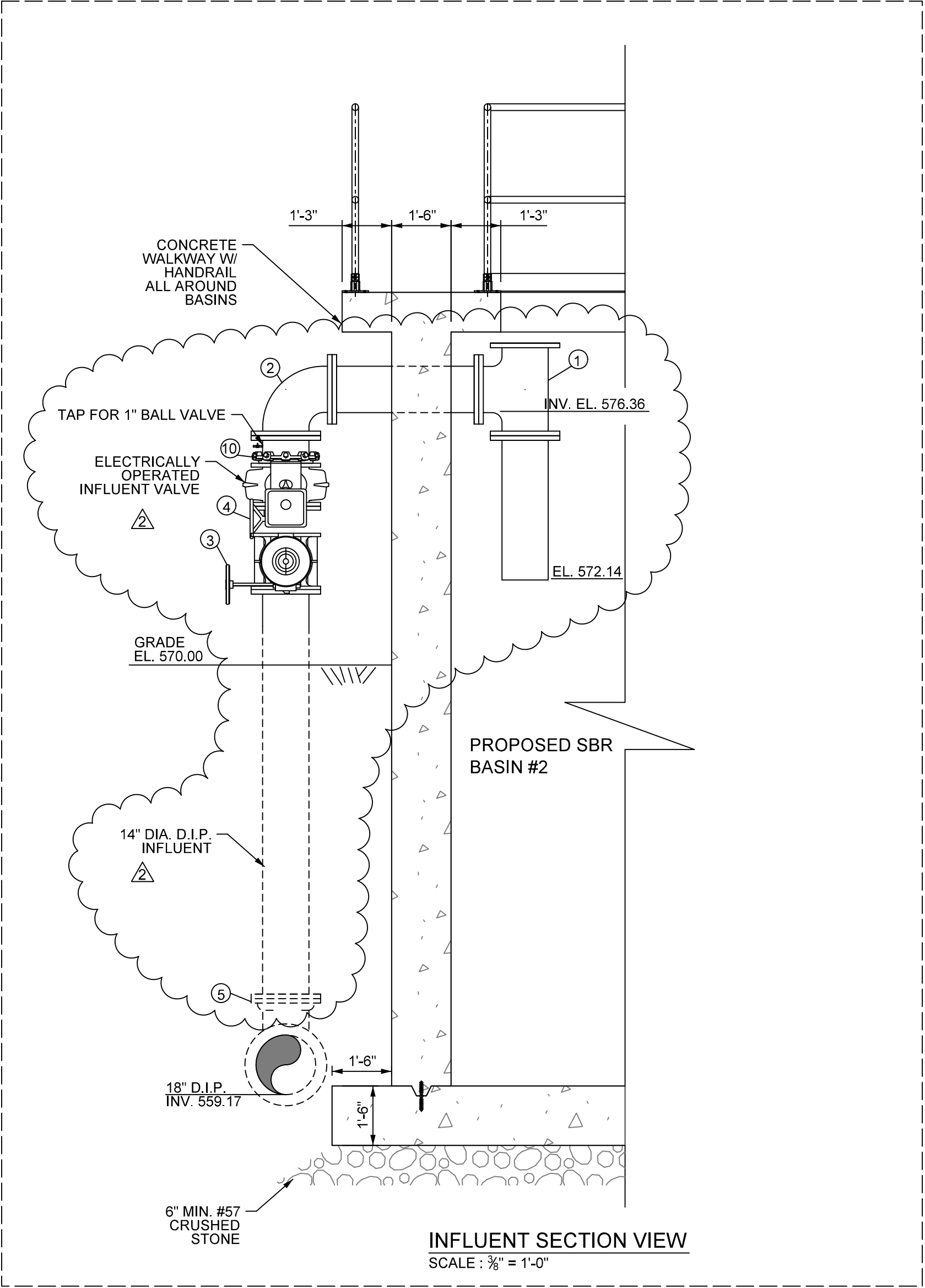
DRAWN BY: LEE

DWG: 30-C-06

SHEET NUMBER **20**



**G SECTION**  
 30 - C - 06 SCALE : 3/8" = 1'-0"



**INFLUENT SECTION VIEW**  
 SCALE : 3/8" = 1'-0"

ITEM NO.	DESCRIPTION
①	14" x 14" x 14" TEE FLG. X FLG.
②	14" D.I. 90° BEND FLG. X FLG.
③	14" MANUAL INFLUENT VALVE
④	14" ELECTRICALLY OPERATED INFLUENT VALVE
⑤	18" x 18" x 14" D.I. TEE M.J. x M.J. x M.J.
⑥	18" D.I. 90° BEND M. J. X M.J.
⑦	18" x 14" D.I. REDUCER M.J. X M.J.
⑧	3" x 3" x 3" TEE FLG. X FLG.
⑨	3" D.I. 90° BEND FLG. X FLG.
⑩	14" MEGAFLANGE ADAPTER



NO	DATE	DESCRIPTION	ADDENDUM	CONSTRUCTION REVISIONS	AS-BUILT

**ENVIRO SERVICES, LLC**  
 VESTAVIA HILLS, AL  
**LIBERTY PARK WATER RECLAMATION FACILITY**  
**CAPACITY EXPANSION**

ELECTRICAL AND STORAGE PER-FAB BUILDING

BOX IS 2 IN WIDE AT FULL SCALE

JOB NO: ES-20045

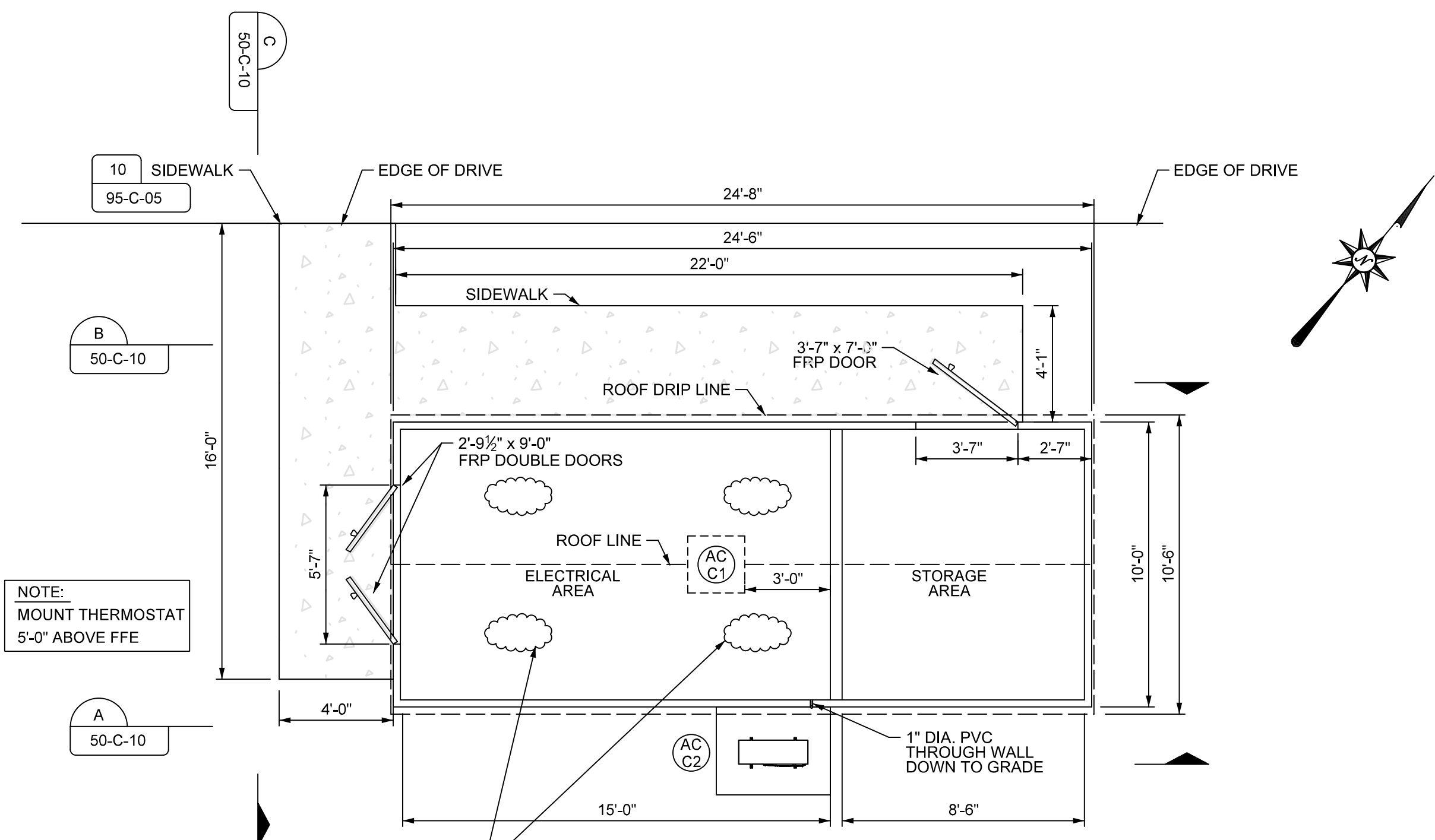
DATE: FEB., 2022

DESIGNED BY: WCE

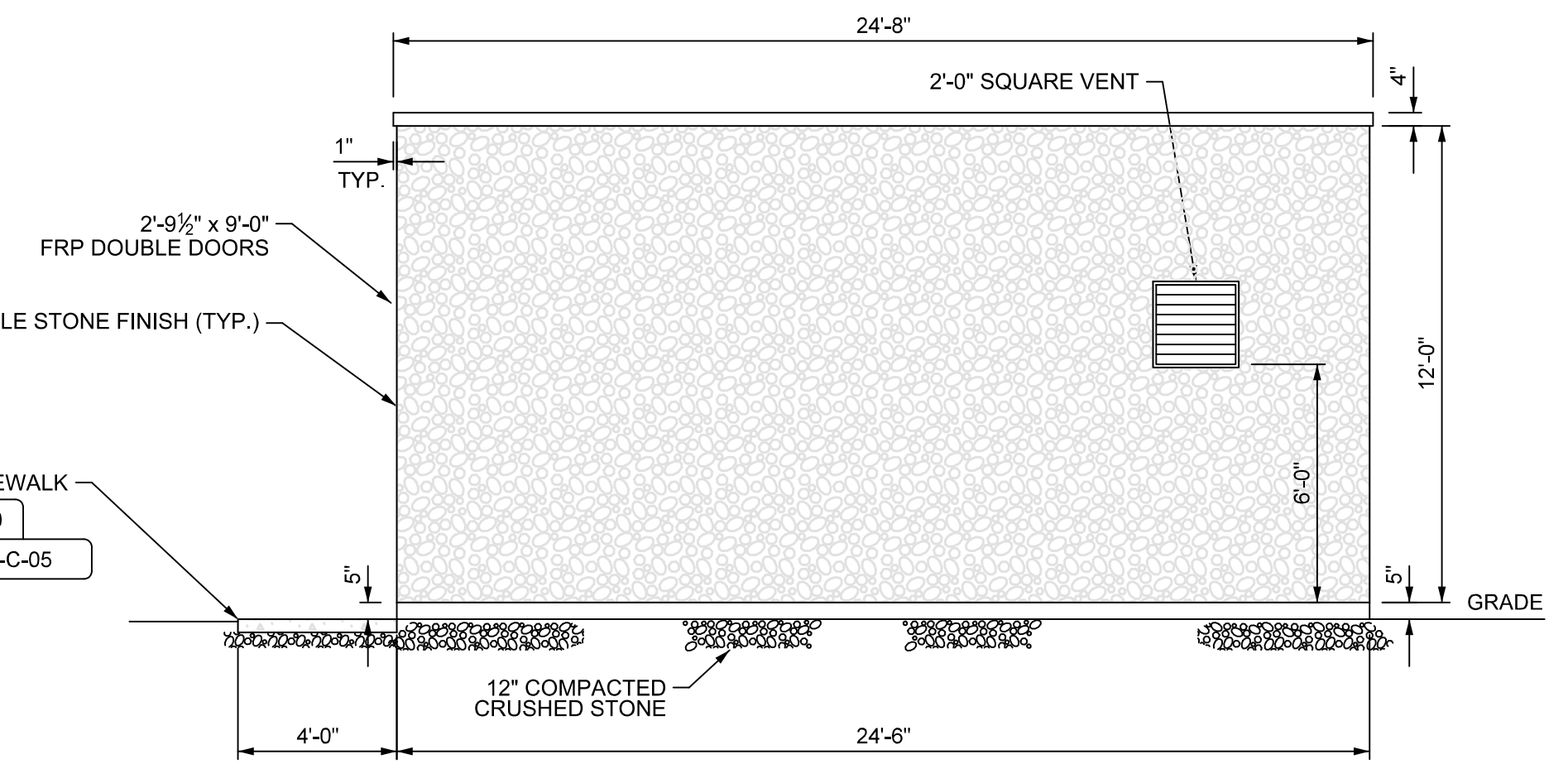
DRAWN BY: LEE

DWG: 50-C-10

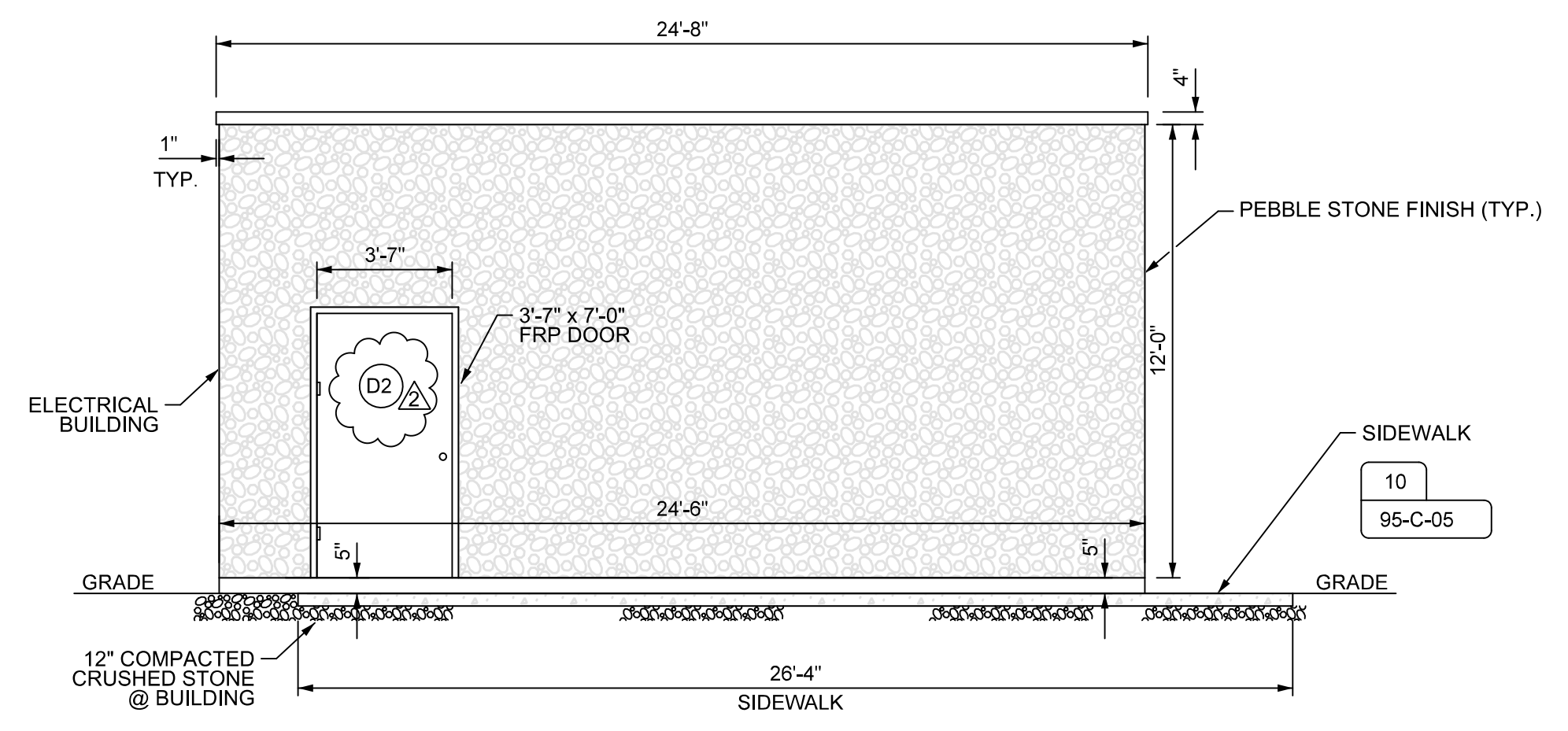
SHEET NUMBER **43**



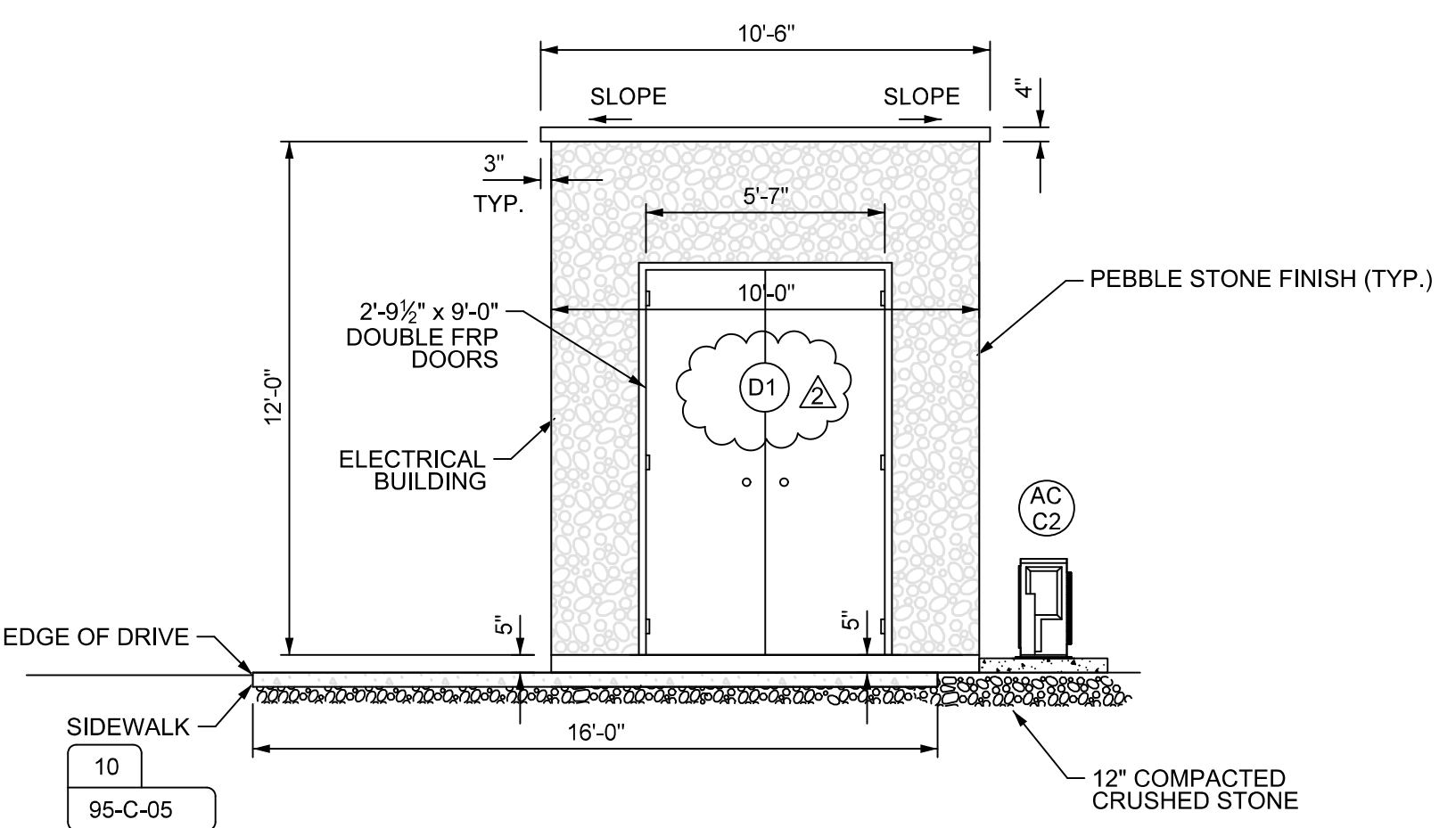
**PLAN VIEW**  
 SCALE: 1/4" = 1'-0"



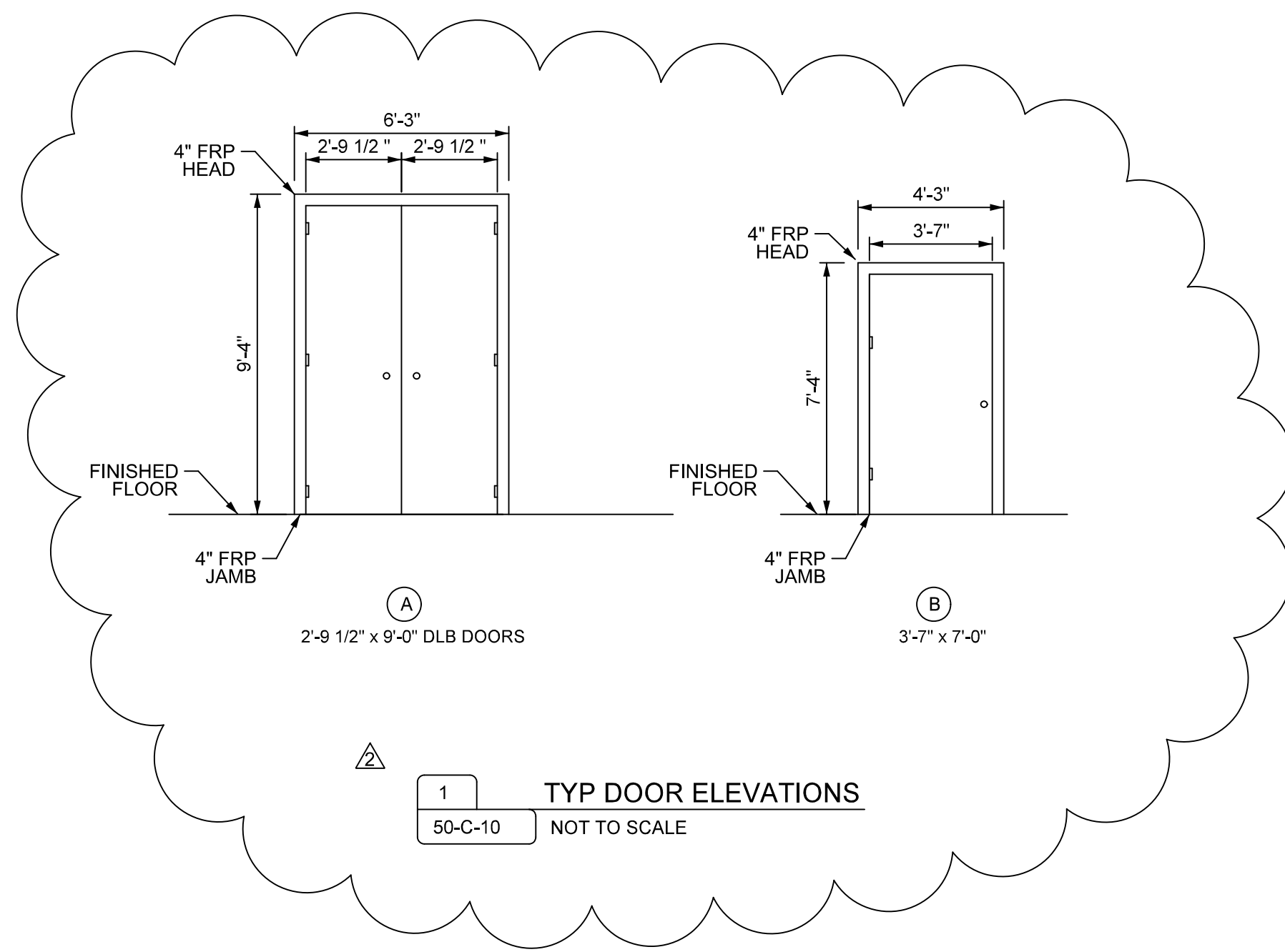
**SECTION A**  
 50-C-10 SCALE: 1/4" = 1'-0"



**SECTION B**  
 SCALE: 1/4" = 1'-0"



**SECTION C**  
 50-C-10 SCALE: 1/4" = 1'-0"



**TYP DOOR ELEVATIONS**  
 50-C-10 NOT TO SCALE

NOTE:  
 MOUNT THERMOSTAT  
 5'-0" ABOVE FFE

BLOCKOUTS SHOWN ARE EXAMPLES ONLY.  
 CONTRACTOR SHALL COORDINATE THE  
 LOCATIONS & SIZES OF ALL BLOCKOUTS  
 REQUIRED WITH THE ASSOCIATED ELECTRICAL  
 EQUIPMENT LAYOUT & APPROVED SUBMITTALS.

NOTE:  
 REFRIGERANT LINES PER  
 MANUFACTURER'S RECOMMENDATION

INDOOR DUCTLESS SCHEDULE							
LOCATION	DESIGNATION	MITSUBISHI MODEL No	CFM	FAN FLA	VOLTS/PH/Hz	COOLING CAP (BTU/HR)	HEATING CAP (BTU/HR)
ELECTRICAL	AC-C1	PLA-A30EA7	705	0.57	230/1/60	30,000	32,000

OUTDOOR DUCTLESS SCHEDULE						
LOCATION	DESIGNATION	MITSUBISHI MODEL No	UNIT MCA	FAN FLA	VOLTS/PH/Hz	
ELECTRICAL	AC-C2	PUY-A30NHA7	25	0.75	230/1/60	

DOOR SCHEDULE						
* FIELD VERIFY ALL DOOR OPENING DIMENSIONS						
LOCATION	ELEVATION	DESIGNATION	NOMINAL OR ACTUAL DOOR DIMENSIONS	MATERIALS	HARDWARE / NOTES	HAND
50 ELECTRICAL BUILDING / STORAGE	A	D1	2'-9 1/2" x 9'-0" DLB DOORS	FRP	EXTERIOR / PUSHBAR (2) / CLOSER (2)	RHR
50 ELECTRICAL BUILDING / STORAGE	B	D2	3'-7" x 7'-0"	FRP	EXTERIOR / PUSHBAR / CLOSER	RHR

**ELECTRICAL AND STORAGE PRE-FAB BUILDING PLAN AND SECTIONS**  
 SCALE: 1/4" = 1'-0"